

**The DCB 260 is designed to provide extended data capture capability for Ampex Data Systems DCRsi and DIS Instrumentation Recorders.**



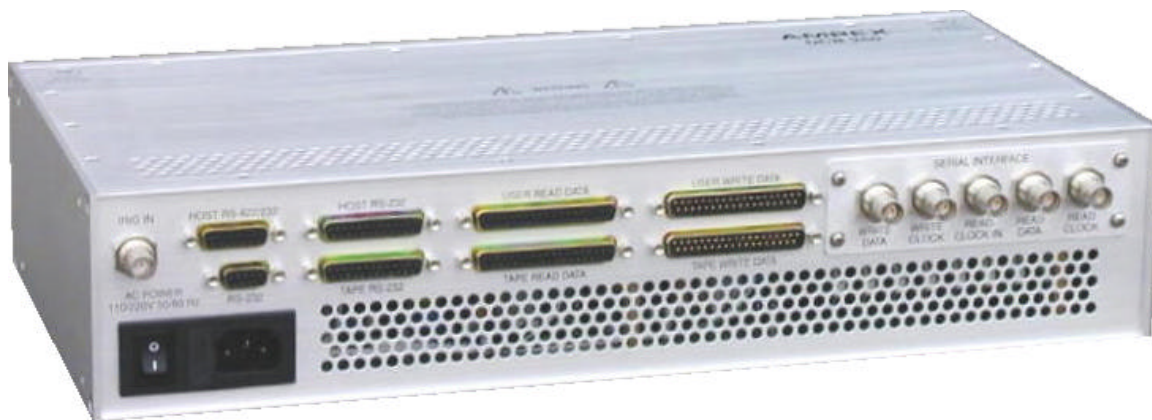
The DCB 260 enables DCRsi 240 recorder to operate at a sustained data rate of 260 Mb/s and a burst rate of 400 Mb/s when using a standard DCRsi parallel interface. Future option of 32 bit wide parallel interface will extend the burst rate even further, up to 1.6 Gb/s.

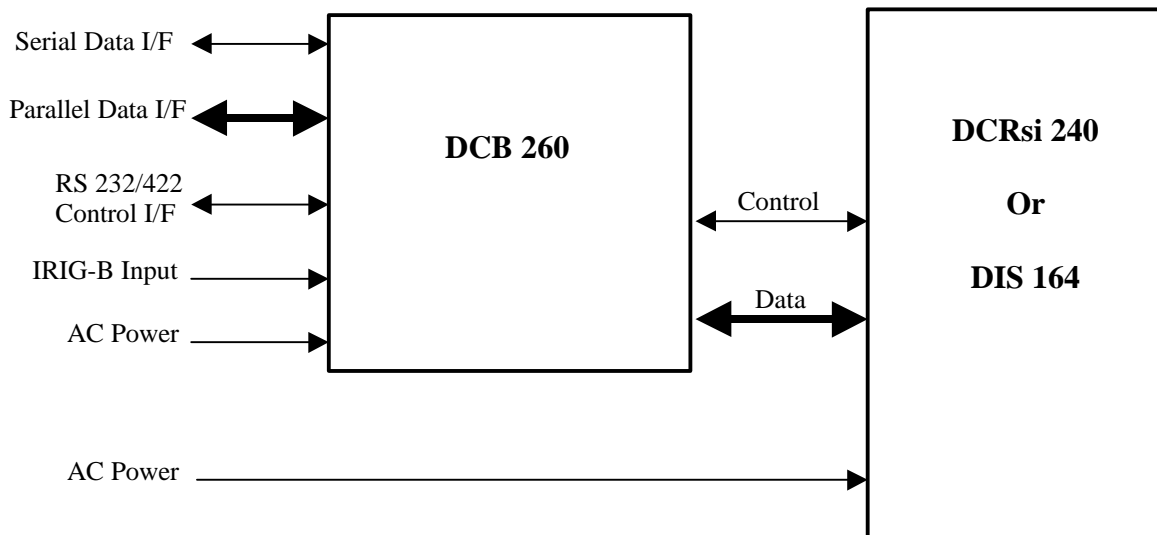
This performance boost is achieved by use of a 4 Gbyte buffer which captures the high rate bursts and data exceeding the standard DCRsi 240 data rate of 240 Mb/s. The data captured in the buffer is continuously written to tape. At the end of a Write operation the remaining content of the buffer is written to tape.

In the standard configuration the DCB 260 features an 8 bit wide parallel and serial Data Interfaces, RS 232/422 Control interface and IRIG-B Time code input for time stamping the data.

The DCB 260 is packaged in a 3.5" x 8.0" x 17.0" enclosure which can be mounted on the back of a DCRsi 240 Lab unit or in a 19" rack. The installation in a 19" rack is primarily intended for use with a DIS family of recorders. When connected to a DIS recorder, the DCB 260 extends the burst rate to 400 Mb/s. Duration of a burst must not exceed 4 Gbytes. It is anticipated that the storage capacity of the DCB 260 will double or quadruple in the future as the memory chip technology progresses.

- ***DCRsi interface compatible***
- ***260 Mb/s sustained data rate with DCRsi 240***
- ***400 Mb/s burst rate with bursts up to 4 Gbytes***
- ***4 Gbytes storage capacity***
- ***8 bit Parallel and Serial interface standard***
- ***IRIG-B or internal time code stamping***
- ***Optional interface 32 bit wide parallel***
- ***DCRsi 240 attachment or 19" rack mountable***





## DCB 260 Data Capture Buffer Specification

---

### PERFORMANCE

Sustained data rate with DCRsi 240	260 Mb/s
Sustained data rate with DIS 164	160 Mb/s
Burst rate with Serial I/F	300 Mb/s
Burst rate with 8 bit Parallel I/F	400 Mb/s
Burst rate with 32 bit Parallel I/F	1.6 Gb/s

### DATA INTERFACE

Parallel	Differential ECL (8bit) FPDP (32bit) LVDS (32bit)
Serial	Differential ECL (Data, Clock)

### CONTROL INTERFACE

EIA-232, EIA-422

### TIME CODE


IRIG-B

### POWER INPUT

115/230 VAC  
50/60 Hz

### PHYSICAL CHARACTERISTICS

Size	3.5" x 8.0" x 17.0"
Weight	8.5 lbs

  
**Ampex Data Systems**  
 1228 Douglas Ave.  
 Redwood City, CA 94063  
 Tel: 650-367-3365 Fax: 650-367-3106  
 World Wide Web: [www.ampexdata.com](http://www.ampexdata.com)